

# Viga

## technical specification



.mdd

**.mdd has a leading position among manufacturers of office furniture with many awards that prove quality and continuously increase demand for it's products.**

The realities of today`s market require constant quality improvement at all levels of modern organization. This applies in particular to customer service, marketing, quality of products and also to quality of processes within the company.

Partnership relations among employees and with business partners form a base of economic growth and success of the company.

Constant investments in innovative machinery park, optimization of management systems and an expansion of production halls allow to minimize the lead times for the product of the highest quality.

**More than twenty years of experience in office furniture industry come with reference from a long list of companies and institutions to show their appreciation for an efficient and comprehensive service.**

**.mdd is higly aware of the environment.**

Being located in the forest region with lake by itis side, .mdd takes the nature seriously and invests constantly in a modern and energy-efficient solutions to preserve the local life. Company puts emphasis on waste segregation and recycling. .mdd has been awarded for the exceptional care and involvement in waste disposal. All materials used are environmentally friendly and enjoy a high 95 % rate of being recycled.



**General informations:**

**Warranty:**

.mdd products - **5 years.**

Electrical components and fabric - **2 years.**

**Compliant with standards:**

PN-EN 527-2:2017-02

PN-EN 14073-2:2006

**Certyficate - MFC:**



**Assembly:**

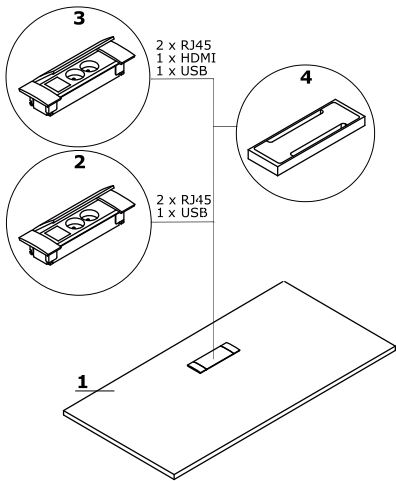
product delivered in separate elements

**Packing:**

cardboard, foam wrap,  
honeycomb texture

Viga	Date of preparation 12.09.2022	The data contained in this document is valid in the day of its preparation. Change of the product, as long as it does not affect the basic features of it, does not require consistent updates of the document.	page 2/19 <b>general informations</b>
------	-----------------------------------	---	--

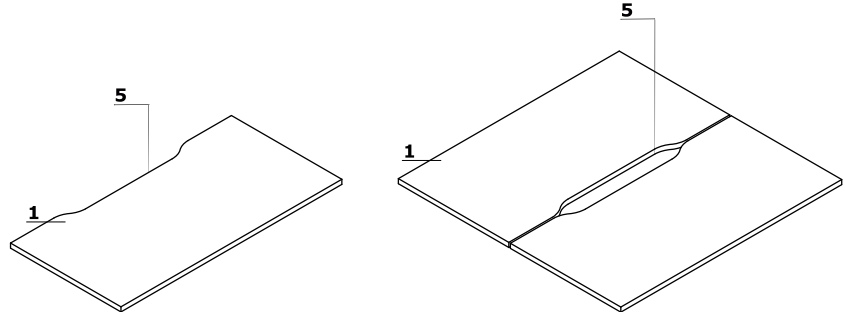
**Desks - worktop**



1. Worktop - 30 mm thick, veneer/HPL

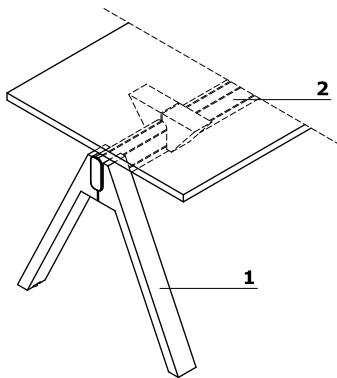
**OPTIONS WITH EXTRA CHARGE:**

- 2. Mediabox M06 - 2x230V+USB charger, colour: black
- 3. Mediabox M06H - 2x230V+HDMI+USB, colour: black
- 4. Top access M10 - colour: FENIX - black matte, MDF
- 5. Cable way - the width of the opening is proportional to the width of the worktop

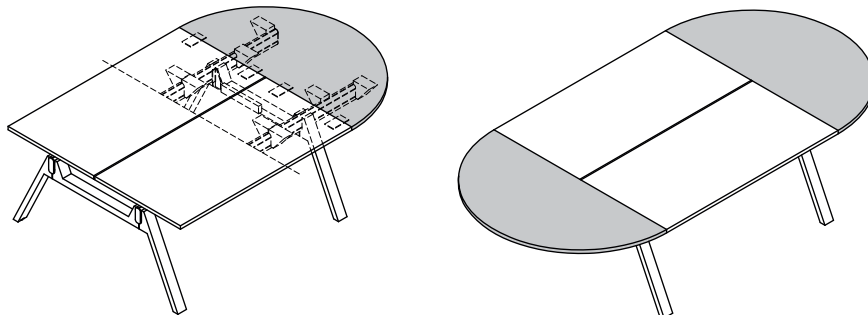


**Frame**

- 1. Leg - wood, profile 80x40 mm
- 2. Frame - anodised aluminium, colour: black; spacer 30 mm between top and frame

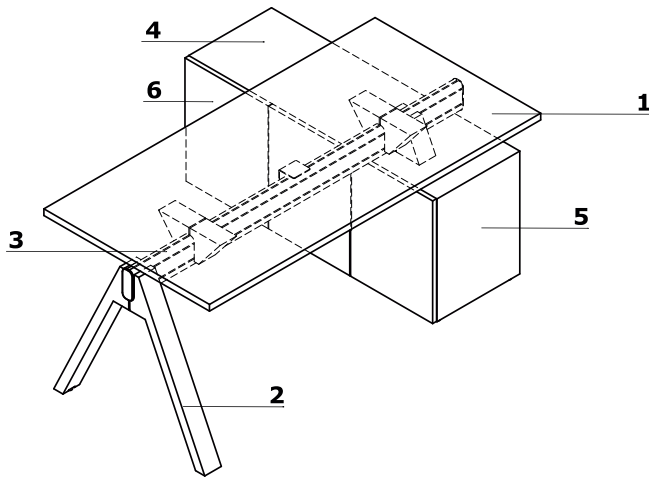


**Extensions - for bench desks**



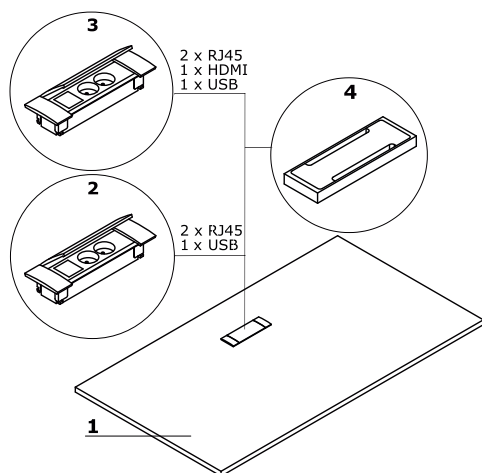
option with extra charge

<p><b>Viga</b></p>	<p>Date of preparation 12.09.2022</p>	<p>The data contained in this document is valid in the day of its preparation. Change of the product, as long as it does not affect the basic features of it, does not require consistent updates of the document.</p>	<p>page 3/19 <b>technical description</b></p>
--------------------	---	--	---

**Desk with managerial cabinet**

1. **Worktop** - 30 mm thick, veneer/HPL
2. **Leg** - wood, profile 80x40 mm
3. **Frame** - anodised aluminium, colour: black; spacer 30 mm between top and frame
4. **Top** - 19 mm thick, veneer
5. **Body** - 19 mm thick, veneer
6. **Front** - Push-to-Open, 19 mm thick, veneer

## Executive desks - worktop



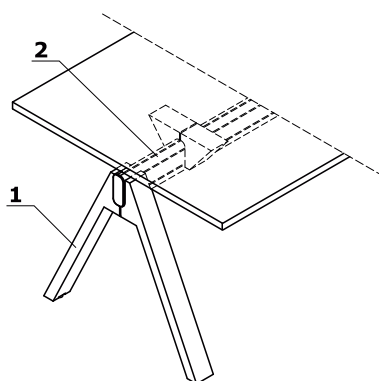
1. Worktop - 30 mm thick, veneer/HPL

### OPTIONS WITH EXTRA CHARGE:

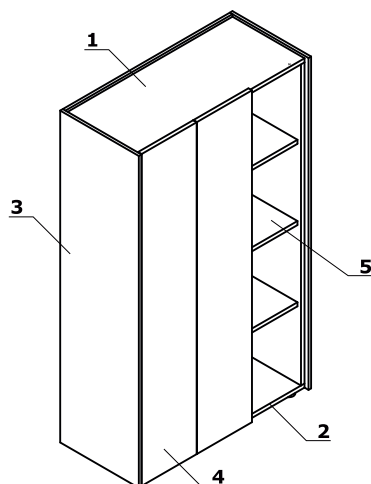
- 2. Mediabox M06 - 2x230V+USB charger, colour: black
- 3. Mediabox M06H - 2x230V+HDMI+USB, colour: black
- 4. Top access M10 - colour: FENIX - black matte, MDF

## Frame

- 1. Leg - wood, profile 80x40 mm
- 2. Frame - anodised aluminium, colour: black; spacer 30 mm between top and frame



## Storages



- 1. Top - 20 mm thick, HPL - Fenix
- 2. Base - 19 mm thick, veneer
- 3. Body outside - 14 mm thick, HPL - Fenix
- 4. Front - Push-to-Open, 19 mm thick, veneer
- 5. Shelf - 19 mm thick, protection against accidental falling-out, veneer

Viga	Date of preparation 12.09.2022	The data contained in this document is valid in the day of its preparation. Change of the product, as long as it does not affect the basic features of it, does not require consistent updates of the document.	page 5/19
			technical description

Desk with managerial cabinet

1. **Worktop** - 30 mm thick, veneer/HPL
2. **Modesty panel** - 13 mm thick, veneer; handle - powder coated steel, colour: black

**PEDESTAL:**

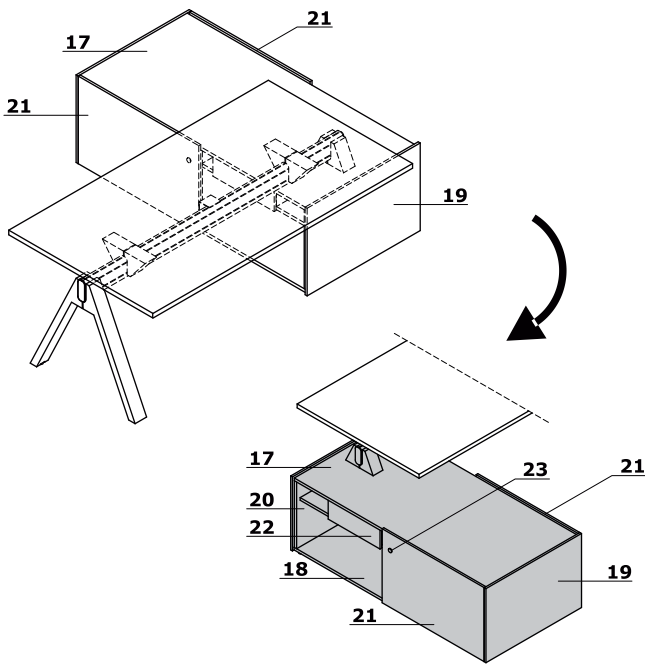
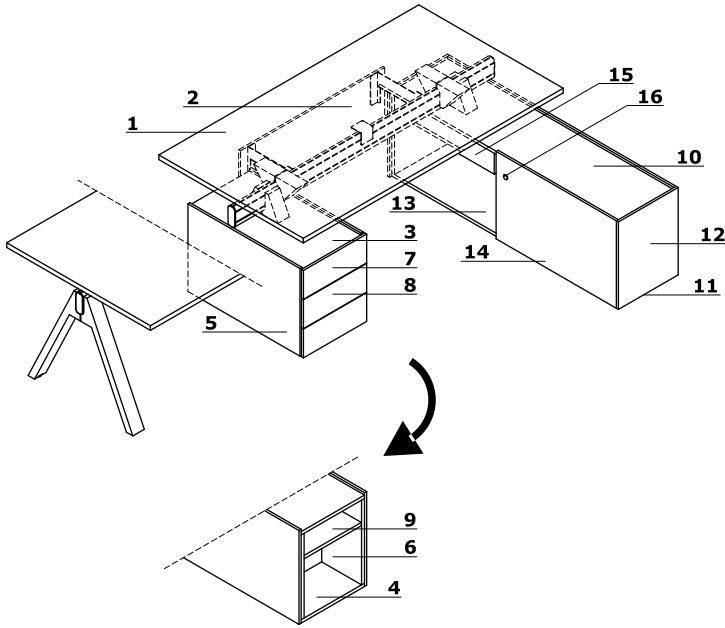
3. **Top** - 19 + 14 mm thick, veneer/HPL
4. **Base** - 19 mm thick, veneer
5. **Body outside** - 14 mm thick, HPL - Fenix
6. **Body inside** - 19 mm thick, veneer
7. **Front** - 13 mm thick, veneer
8. **MFC drawer** - ball runners, max load 25kg, 100% extraction; soft closing
9. **Shelf** - 19 mm thick, protection against accidental falling-out, veneer

**MANAGERIAL STORAGE:**

10. **Top** - 19 + 14 mm thick, veneer/HPL
11. **Base** - 19 mm thick, veneer
12. **Body outside** - 14 mm thick, HPL - Fenix
13. **Body inside** - 19 mm thick, veneer
14. **Sliding front** - 18 +13 mm thick, soft-closing system, veneer
15. **MFC drawer** - ball runners, 100% extraction; soft closing
16. **Patent lock**

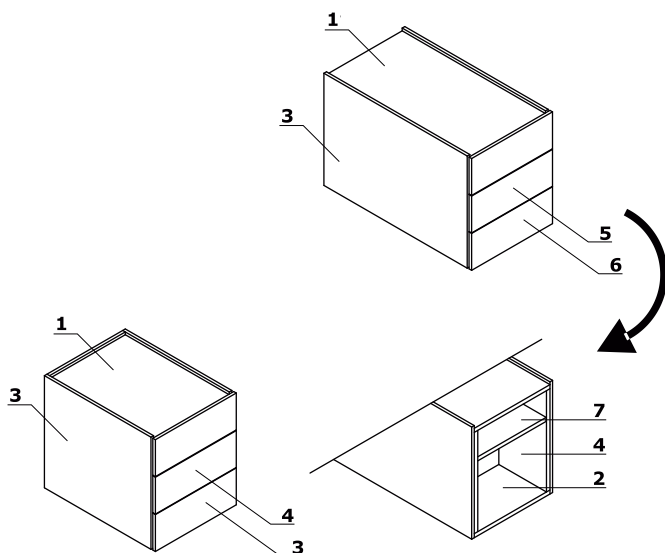
**DESK WITH MANAGERIAL CABINET (CABINET WITH ACCESS FROM BOTH SIDES):**

17. **Top** - 19 + 14 mm thick, veneer/HPL
18. **Base** - 19 mm thick, veneer
19. **Body outside** - 14 mm thick, HPL - Fenix
20. **Body inside** - 19 mm thick, veneer
21. **Sliding front** - 18 +13 mm thick, soft-closing system, veneer
22. **MFC drawer** - ball runners, 100% extraction; soft closing
23. **Patent lock**



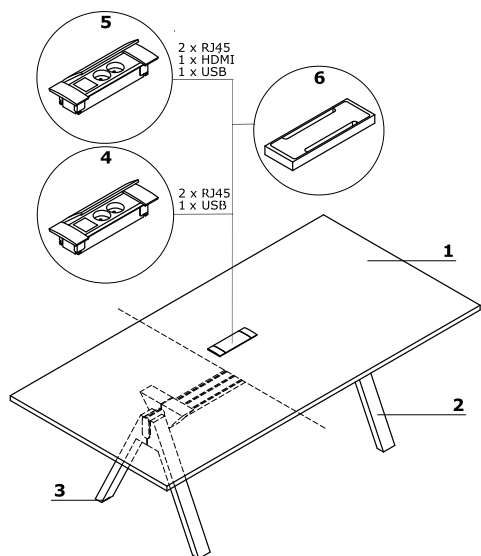
www.mdd.eu

### Pedestals



- 1. Top - 19 + 14 mm thick, veneer/HPL
- 2. Base - 19 mm thick, veneer
- 3. Body outside - 14 mm thick, HPL - Fenix
- 4. Body inside - 19 mm thick, veneer
- 5. Front - 13 mm thick, veneer
- 6. MFC drawer - ball runners, 100% extraction; soft closing
- 7. Shelf - 19 mm thick, protection against accidental falling-out, veneer

### Meeting tables

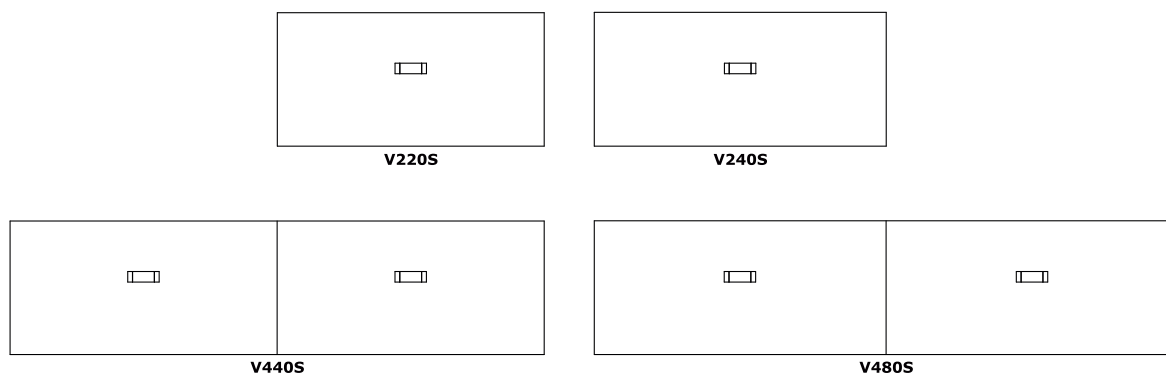


- 1. Worktop - 30 mm thick, veneer/HPL
- 2. Leg - wood, profile 80x40 mm
- 3. Leveling - 5 mm range

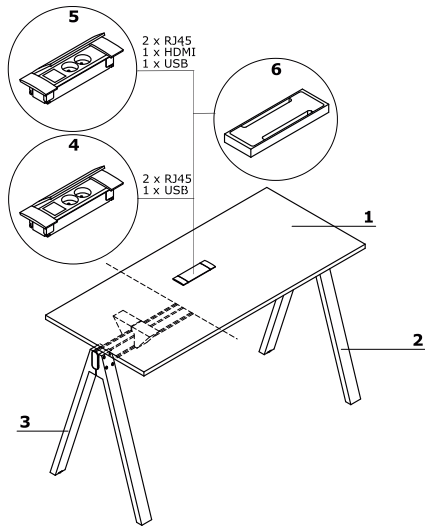
**OPTIONS WITH EXTRA CHARGE:**

- 4. Mediabox M06 - 2x230V+USB charger, colour: black
- 5. Mediabox M06H - 2x230V+HDMI+USB, colour: black
- 6. Top access M10 - colour: FENIX - black matte, MDF

### Mediabox location



High tables



- 1. **Worktop** - 30 mm thick, veneer/HPL
- 2. **Leg** - wood, profile 80x40 mm
- 3. **Leveling** - 5 mm range

**OPTIONS WITH EXTRA CHARGE:**

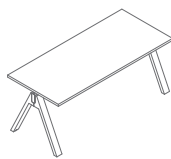
- 4. **Mediabox M06** - 2x230V+USB charger, colour: black
- 5. **Mediabox M06H** - 2x230V+HDMI+USB, colour: black
- 6. **Top access M10** - colour: FENIX - black matte, MDF



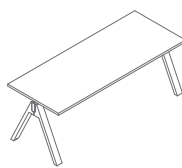
**Desks \***



**V16**  
1600 / 800 / 740  
72 kg

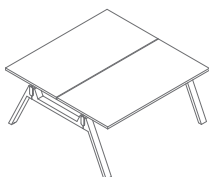


**V18**  
1800 / 800 / 740  
139.31 kg

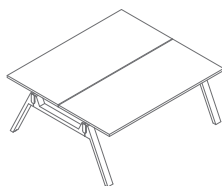


**V20**  
2000 / 800 / 740  
86.1 kg

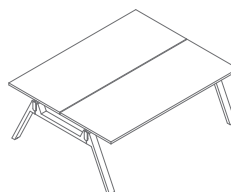
**Bench desks \***



**V216**  
1600 / 1610 / 740  
148 kg

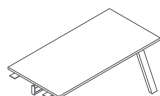


**V218**  
1800 / 1610 / 740  
162.1 kg

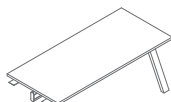


**V220**  
2000 / 1610 / 740  
176.2 kg

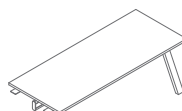
**Extension units - straight desk \***



**V16L**  
1600 / 800 / 740  
68.3 kg

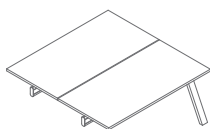


**V18L**  
1800 / 800 / 740  
135.61 kg

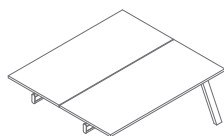


**V20L**  
2000 / 800 / 740  
82.4 kg

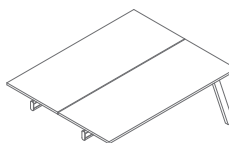
**Extension units - bench \***



**V216L**  
1600 / 1610 / 740  
142 kg



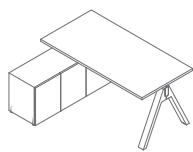
**V218L**  
1800 / 1610 / 740  
156.1 kg



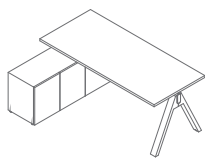
**V220L**  
2000 / 1610 / 740  
170.2 kg

\* dimensions expressed in millimeters: width x depth x height

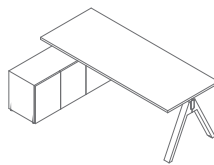
Desk with managerial cabinet \*



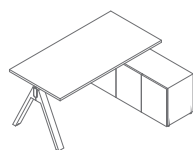
**V163L**  
1600 / 1300 / 740  
112.5 kg



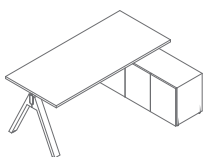
**V183L**  
1800 / 1300 / 740  
119.55 kg



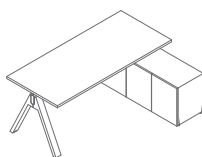
**V203L**  
2000 / 1300 / 740  
126.6 kg



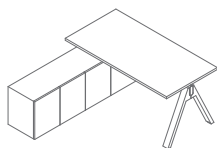
**V163P**  
1600 / 1300 / 740  
112.5 kg



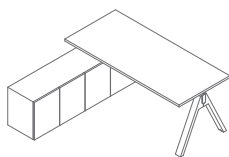
**V183P**  
1800 / 1300 / 740  
119.55 kg



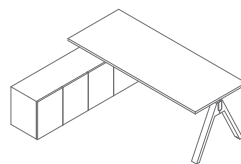
**V203P**  
2000 / 1300 / 740  
126.6 kg



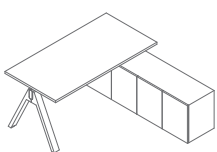
**V164L**  
1600 / 1700 / 740  
123.5 kg



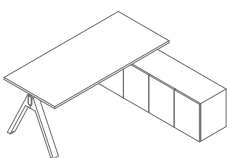
**V184L**  
1800 / 1700 / 740  
130.55 kg



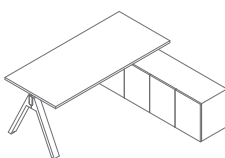
**V204L**  
2000 / 1700 / 740  
137.6 kg



**V164P**  
1600 / 1700 / 740  
123.5 kg



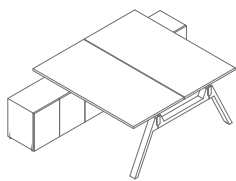
**V184P**  
1800 / 1700 / 740  
130.55 kg



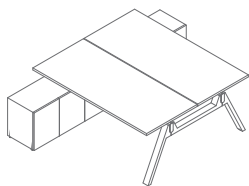
**V204P**  
2000 / 1700 / 740  
137.6 kg

\* dimensions expressed in millimeters: width x depth x height

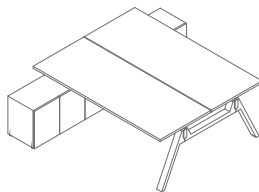
**Desk with managerial cabinet \***



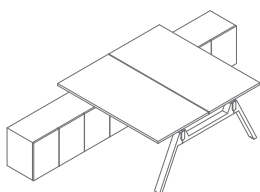
**V1623**  
1600 / 2400 / 740  
237 kg



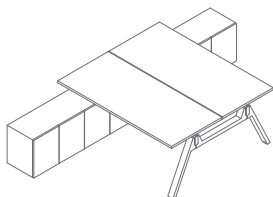
**V1823**  
1800 / 2400 / 740  
251.1 kg



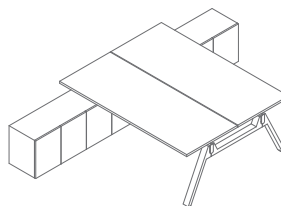
**V2023**  
2000 / 2400 / 740  
265.2 kg



**V1624**  
1600 / 3200 / 740  
259 kg

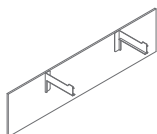


**V1824**  
1800 / 3200 / 740  
273.1 kg

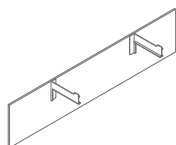


**V2024**  
2000 / 3200 / 740  
287.2 kg

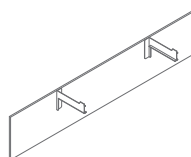
**Accessories \***



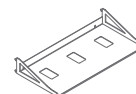
**V16B**  
1600 / 340 / 400  
11.13 kg



**V18B**  
1800 / 340 / 400  
11.81 kg



**V20B**  
2000 / 340 / 400  
12.5 kg

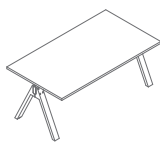


**V34**  
550 / 280 / 85  
3 kg

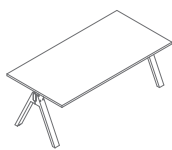
\* dimensions expressed in millimeters: width x depth x height

<b>Viga</b>	Date of preparation 12.09.2022	The data contained in this document is valid in the day of its preparation. Change of the product, as long as it does not affect the basic features of it, does not require consistent updates of the document.	page 11/19
			<b>products</b>

**Executive desks \***

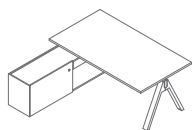


**V01**  
1800 / 1000 / 740  
92.45 kg

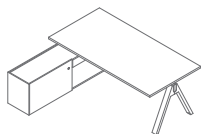


**V02**  
2000 / 1000 / 740  
100.94 kg

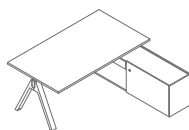
**Desk with managerial cabinet \***



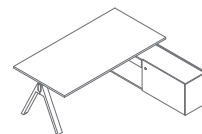
**V03L**  
1800 / 1800 / 740  
152.45 kg



**V04L**  
2000 / 1800 / 740  
160.94 kg

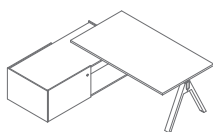


**V03P**  
1800 / 1800 / 740  
152.45 kg

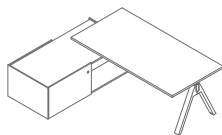


**V04P**  
2000 / 1800 / 740  
160.94 kg

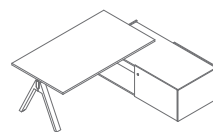
**Desk with managerial cabinet – cabinet with access from both sides \***



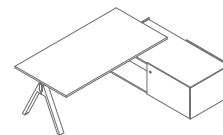
**V05L**  
1800 / 1000 / 740  
186.45 kg



**V06L**  
2000 / 1000 / 740  
194.94 kg

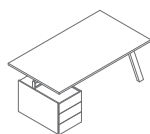


**V05P**  
1800 / 1000 / 740  
186.45 kg

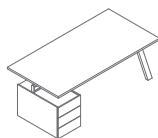


**V06P**  
2000 / 1000 / 740  
194.94 kg

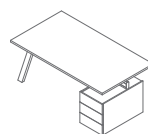
**Desks with pedestal \***



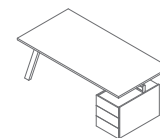
**V07L**  
1800 / 1000 / 740  
134.95 kg



**V08L**  
2000 / 1000 / 740  
143.44 kg



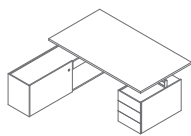
**V07P**  
1800 / 1000 / 740  
134.95 kg



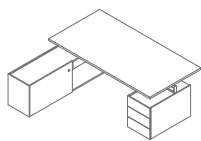
**V08P**  
2000 / 1000 / 740  
143.44 kg

\* dimensions expressed in millimeters: width x depth x height

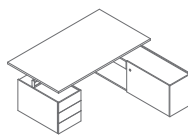
**Desks with executive cabinet and pedestal \***



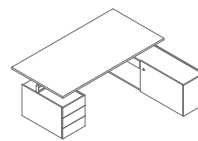
**V09L**  
1800 / 1000 / 740  
194.95 kg



**V10L**  
2000 / 1000 / 740  
203.44 kg

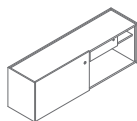


**V09P**  
1800 / 1000 / 740  
194.95 kg

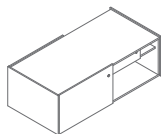


**V10P**  
2000 / 1000 / 740  
203.44 kg

**Managerial storages \***

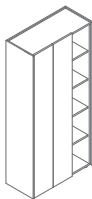


**V35**  
1602 / 416 / 545  
62.5 kg

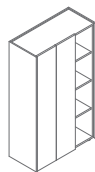


**V36**  
1602 / 784 / 545  
96.5 kg

**Storages \***



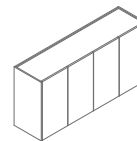
**V22**  
928 / 424 / 1944  
132 kg



**V23**  
928 / 424 / 1565  
104.5 kg



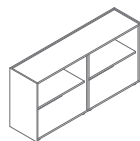
**V24**  
828 / 424 / 807  
56 kg



**V25**  
1628 / 424 / 807  
104 kg



**V26**  
828 / 424 / 807  
44 kg



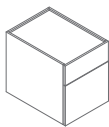
**V27**  
1628 / 424 / 807  
79 kg



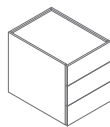
**V28**  
828 / 424 / 807  
53.95 kg

\* dimensions expressed in millimeters: width x depth x height

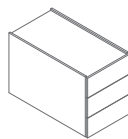
**Pedestals \***



**V12K**  
438 / 600 / 545  
35 kg

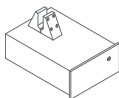


**V13K**  
438 / 600 / 545  
35 kg

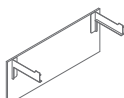


**V14K**  
438 / 800 / 545  
45 kg

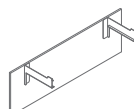
**Additional elements \***



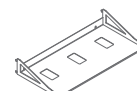
**V11**  
436 / 600 / 216  
16,5 kg



**V10B**  
1000 / 340 / 400  
7,9 kg



**V12B**  
1200 / 340 / 400  
8,5 kg

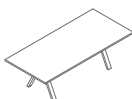


**V34**  
550 / 280 / 85  
3 kg

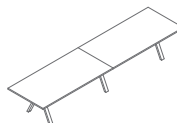
**Conference tables \***



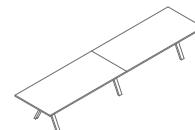
**V220S**  
2200 / 1100 / 740  
113,9 kg



**V240S**  
2400 / 1100 / 740  
123,12 kg



**V440S**  
4400 / 1100 / 740  
227,8 kg



**V480S**  
4800 / 1100 / 740  
246,26 kg

**High tables \***



**V169**  
1600 / 800 / 900  
73,5 kg



**V189**  
1800 / 800 / 900  
80,55 kg



**V209**  
2000 / 800 / 900  
87,6 kg

\* dimensions expressed in millimeters: width x depth x height

High tables \*



**V1611**  
1600 / 800 / 1100  
74.5 kg



**V1811**  
1800 / 800 / 1100  
81.55 kg



**V2011**  
2000 / 800 / 1100  
88.6 kg



**V1619**  
1600 / 1000 / 900  
81.36 kg



**V1819**  
1800 / 1000 / 900  
90.29 kg



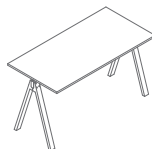
**V2019**  
2000 / 1000 / 900  
105.22 kg



**V16111**  
1600 / 1000 / 1100  
182.36 kg



**V18111**  
1800 / 1000 / 1100  
91.29 kg



**V20111**  
2000 / 1000 / 1100  
106.22 kg

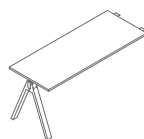
Elements for pairing \*



**V169L**  
1600 / 800 / 900  
69.1 kg



**V189L**  
1800 / 800 / 900  
76.15 kg



**V209L**  
2000 / 800 / 900  
83.2 kg

\* dimensions expressed in millimeters: width x depth x height

Elements for pairing \*



**V1611L**  
1600 / 800 / 1100  
769.8 kg



**V1811L**  
1800 / 800 / 1100  
76.85 kg



**V2011L**  
2000 / 800 / 1100  
83.9 kg



**V1619L**  
1600 / 1000 / 900  
76.96 kg



**V1819L**  
1800 / 1000 / 900  
85.89 kg



**V2019L**  
2000 / 1000 / 900  
100.82 kg



**V16111L**  
1600 / 1000 / 1100  
77.66 kg

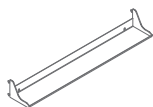


**V18111L**  
1800 / 1000 / 1100  
86.59 kg



**V20111L**  
2000 / 1000 / 1100  
101.52 kg

Accessories \*



**V21**  
700 / 120 / 85  
1.8 kg

\* dimensions expressed in millimeters: width x depth x height

<b>Viga</b>	Date of preparation 12.09.2022	The data contained in this document is valid in the day of its preparation. Change of the product, as long as it does not affect the basic features of it, does not require consistent updates of the document.	page 16/19
			<b>products</b>



**Desks**

**Top**



181 Natural oak



182 Black oak



191 Copper oak



183 Fenix - black matte

**Leg**



181 Natural oak



182 Black oak



191 Copper oak

**Managerial storage**



181 Natural oak



182 Black oak



191 Copper oak

**Copplementary elements**

**Top access M10**



183 Fenix - black matte

**Mediabox**



M115 Black semi-matt RAL9005

**Executive desks**

**Top**



181 Natural oak



182 Black oak



191 Copper oak



183 Fenix - black matte

**Leg**



181 Natural oak



182 Black oak



191 Copper oak

No possibility to mix oak colours in one product.

**Executive desks with managerial storage**

**Top and back wall**



**Leg, body inside, front**



**Sides of the cabinet**



**Additional elements**

**Suspended box-drawer, modesty panel**



**Top access M10**



**Mediabox**



**Storages**

**Top, sides of the cabinet**



**Body outside, body inside, front**



No possibility to mix oak colours in one product.

**Pedestals**

**Top**



**Body outside**



**Front, body inside**



**Managerial storages**

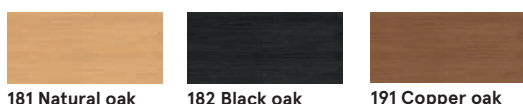
**Top, base**



**Sides of the cabinet**



**Body inside, front**



**Meeting tables, high tables**

**Top**



**Leg**



No possibility to mix oak colours in one product.